

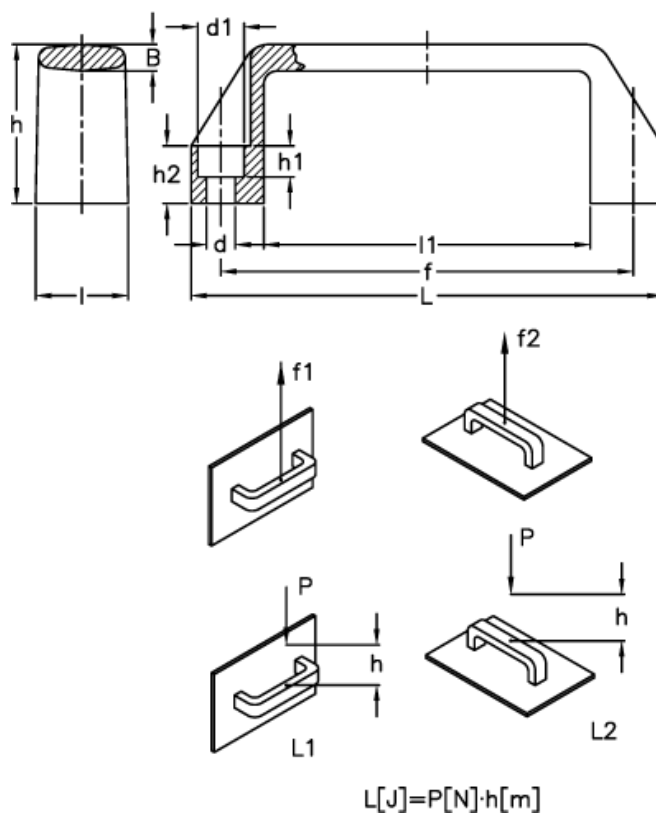
Data Sheet



Article number: 2304150021

Description: E+G Handle
M.443/150 AE-V0

Measures



B	= 7.0	h2	= 16
d	= 8.5	l	= 27
d1	= 13.5	L	= 150
f	= 132 +/- 1	l1	= 108
F1 (N)	= 3000	L1 (J)	= 12
F2 (N)	= 1800	L2 (J)	= 8
h	= 45		
h1	= 8.5		